

Sending ICS Forms
Using MT63 Soundcard Mode

Faster than Voice and Error Free

AH6EZ/W7
Dick Illman

MT63 Mode

- Used by many EOC organizations
 - Proven communications method
- Forward Error Correction
 - (better than voice and handwriting)
- Faster than voice/transcription – about 200 wpm
- fldigi is integrated with flmsg
 - Send ICS form content only, auto fills in received form
- Can send many other forms such as ARRL
- Tolerant of path errors and level setting

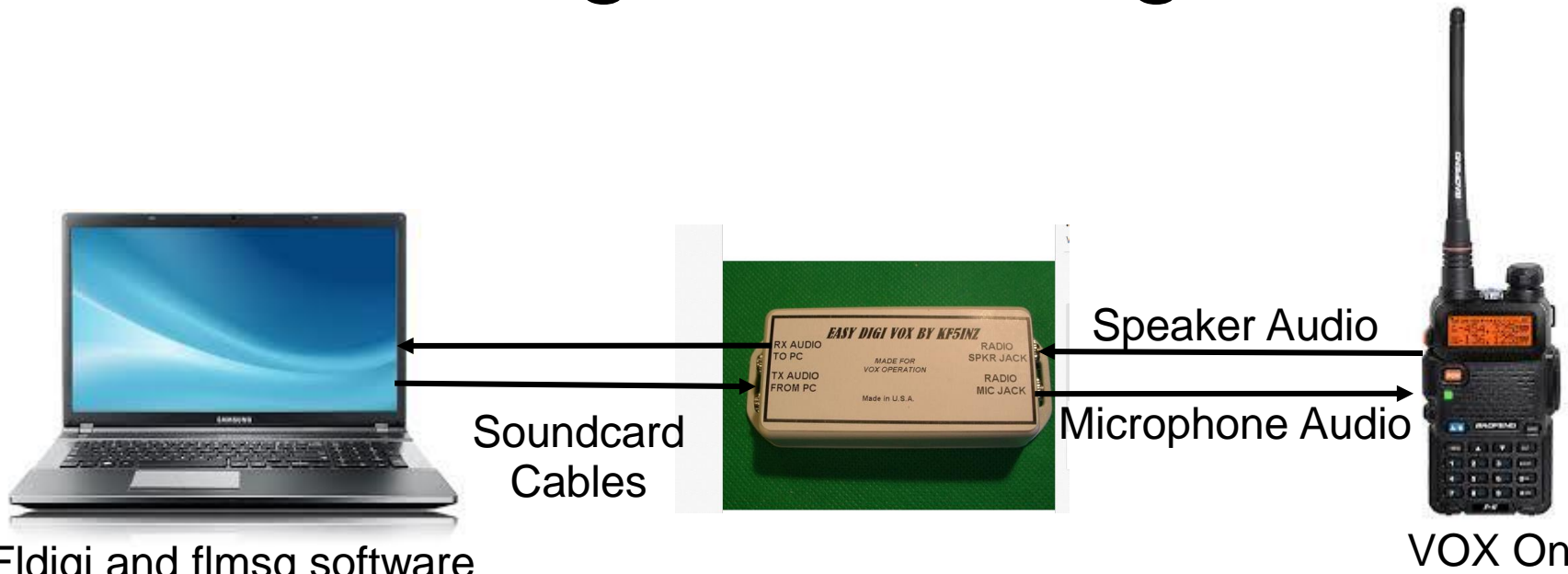
MT63 modes

- Three Speeds (3 bandwidths)
 - 2000 HZ (500 HZ TO 2500 HZ) - THRUPUT 200 WPM
 - 1000 HZ (500 HZ TO 1500 HZ) - THRUPUT 100 WPM
 - 500 HZ (500 HZ TO 1000 HZ) - THRUPUT 50 WPM
- Three Interleaves (amount of forward error correction)
 - LONG INTERLEAVE
 - SHORT INTERLEAVE
 - VERY SHORT INTERLEAVE
- Recommended default 2000 Long, good VHF conditions

MT63 technical details

- Orthogonal Frequency Division Multiplexed (OFDM) mode
- 64 parallel carriers spaced at $1/64^{\text{th}}$ of bandwidth (31.25Hz MT63-2000)
- tones are differential BPSK modulated
- highly redundant Forward Error Correction system
- tones have synchronous symbols, and are raised cosine modulated.
- mode requires a very linear transmitter
- Over-driving leads to excessive bandwidth and poorer reception.
- mode very tolerant of tuning, most software will handle 100Hz mistuning
- designed by Pawel SP9VRC.

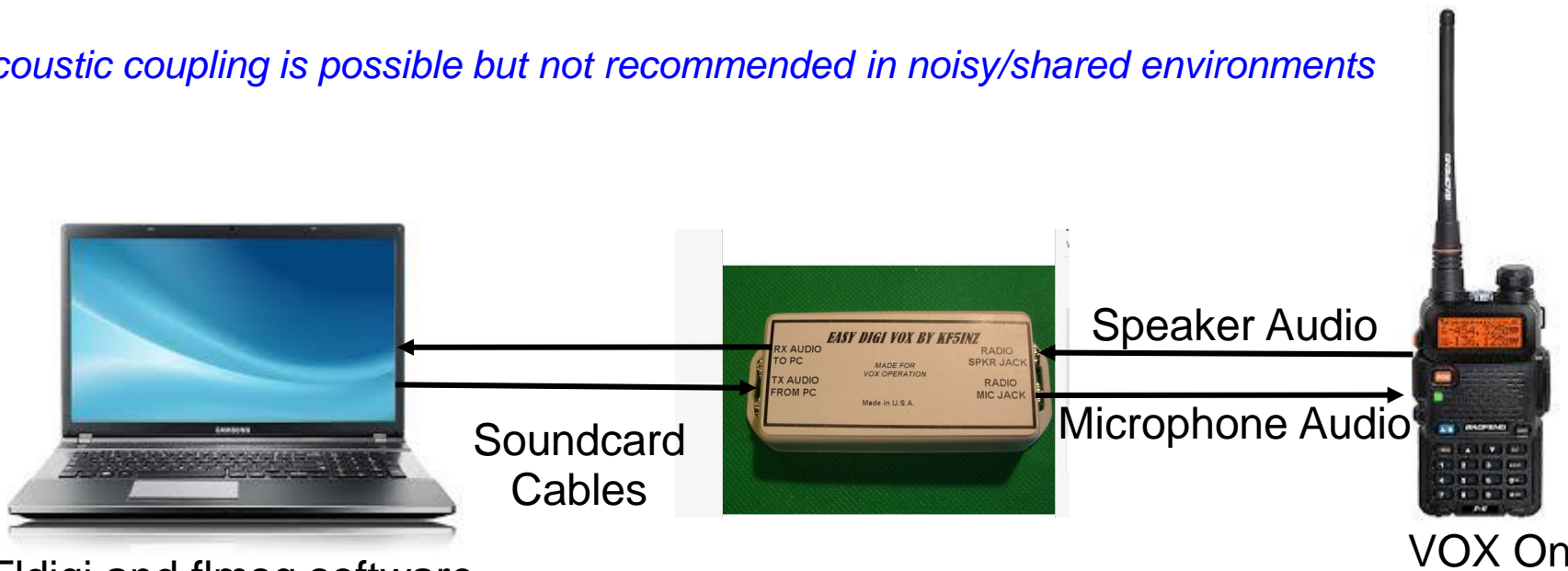
Baofeng to Baofeng Setup



Fldigi and flmsg software
Windows, OSX, or Linux

Acoustic coupling is possible but not recommended in noisy/shared environments

2m or 70cm
Simplex or
Repeater



Fldigi and flmsg software
Windows, OSX, or Linux

Baofeng UV-5R \$37 kit using VOX



Includes ALL cables and enclosure
Available on eBay

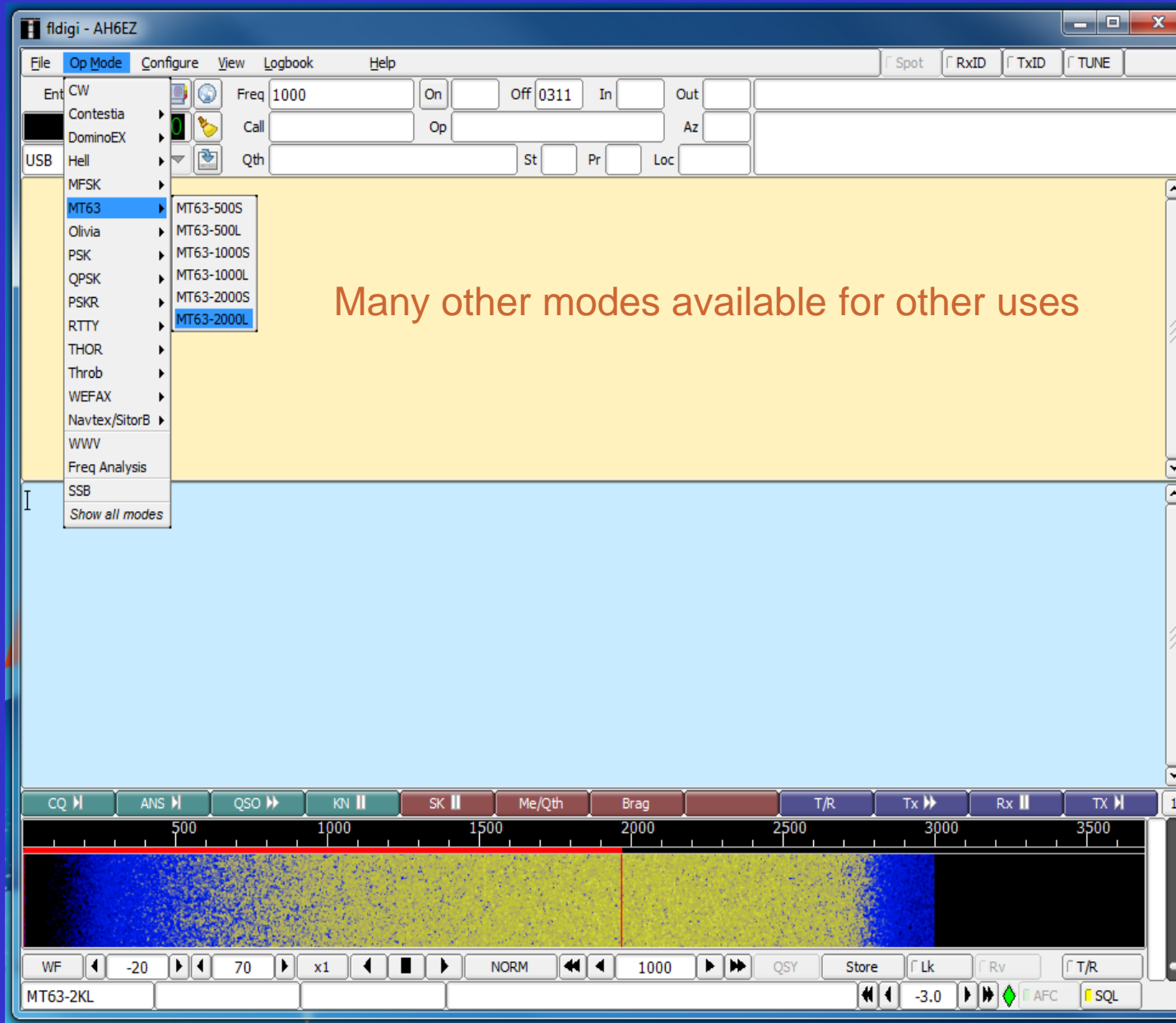
KF5INZ \$10 Interface Kit with PTT



Useful for using with radios without VOX

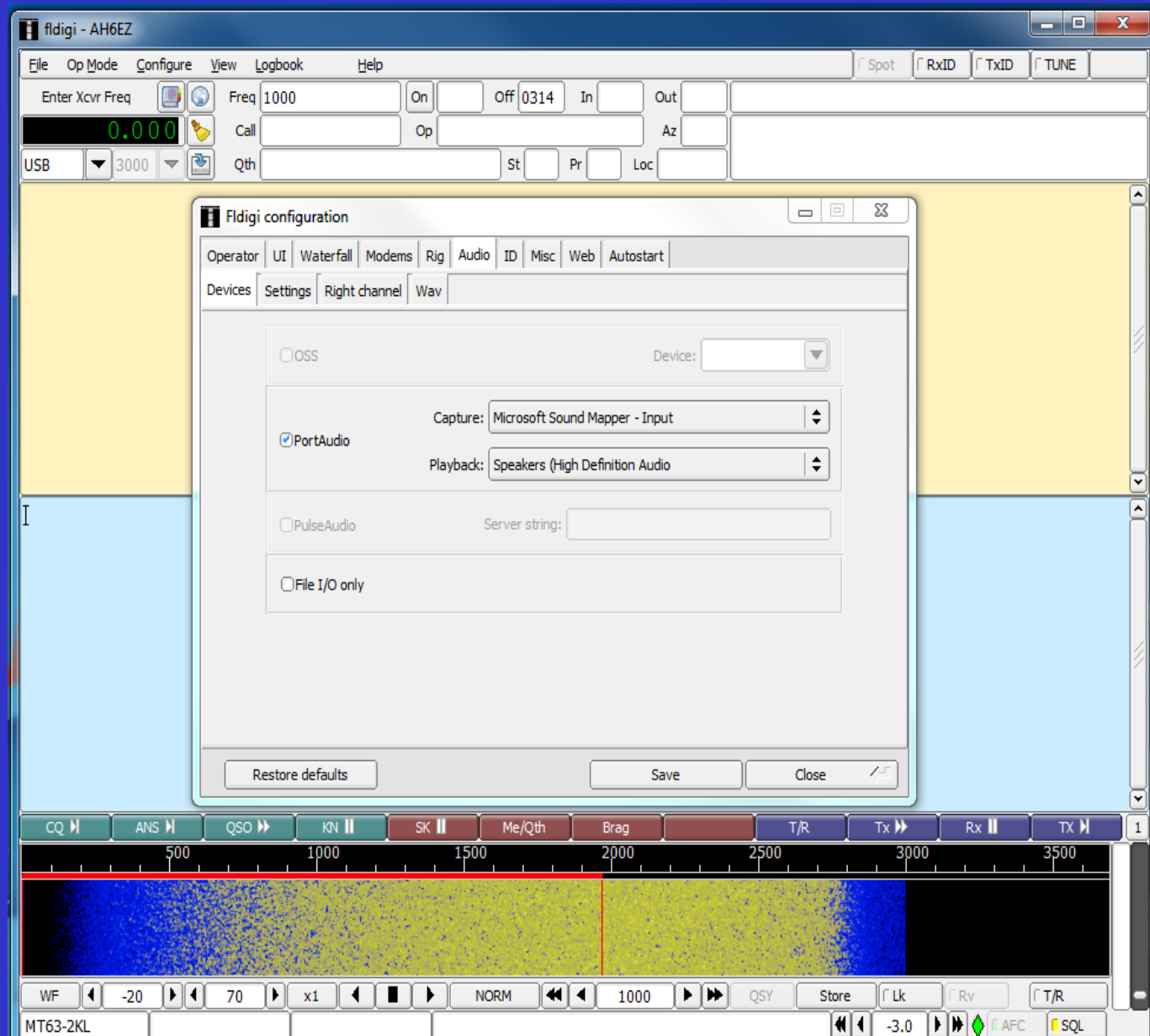
fldigi user interface

Select MT63 2000 Long mode

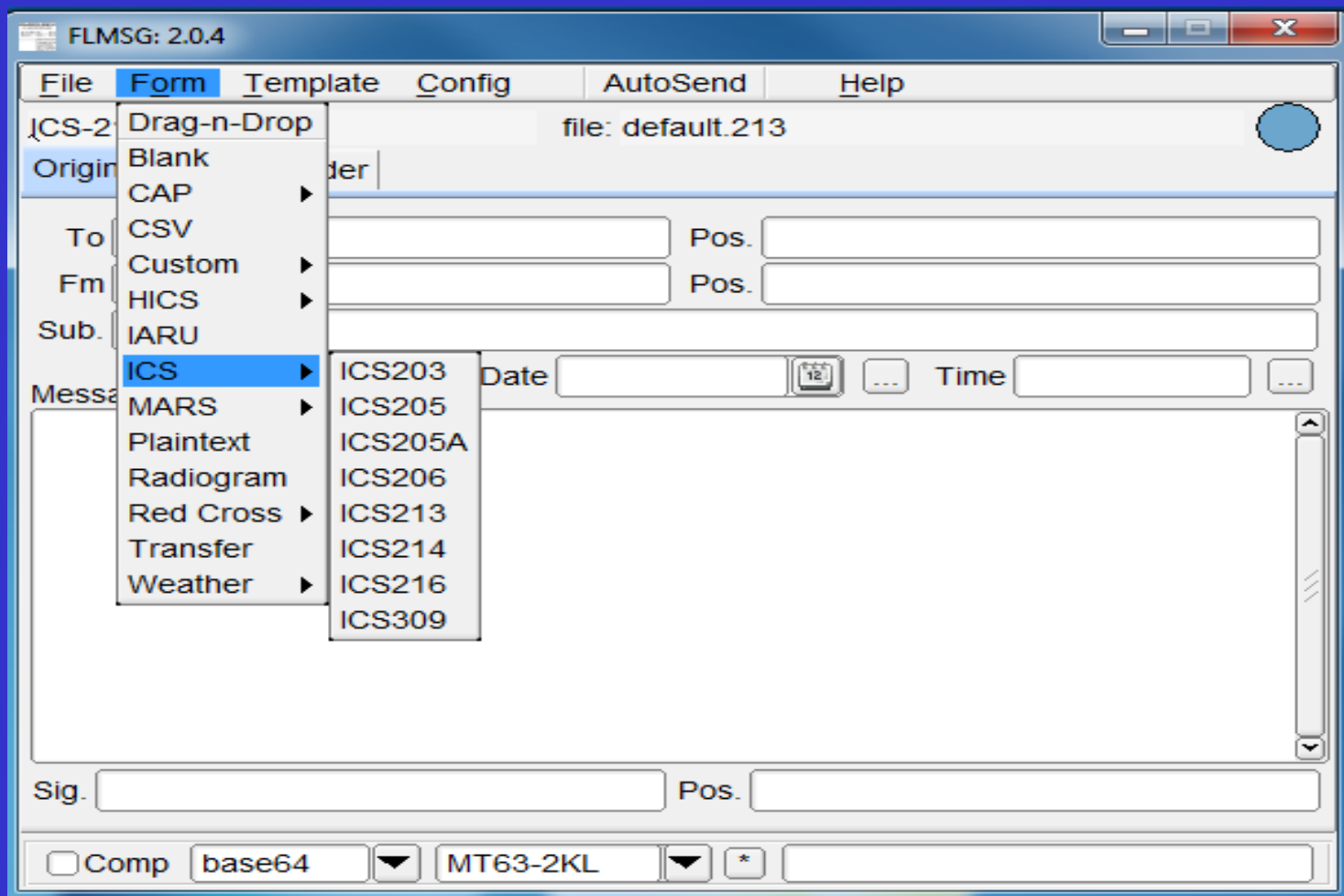


fldigi user interface

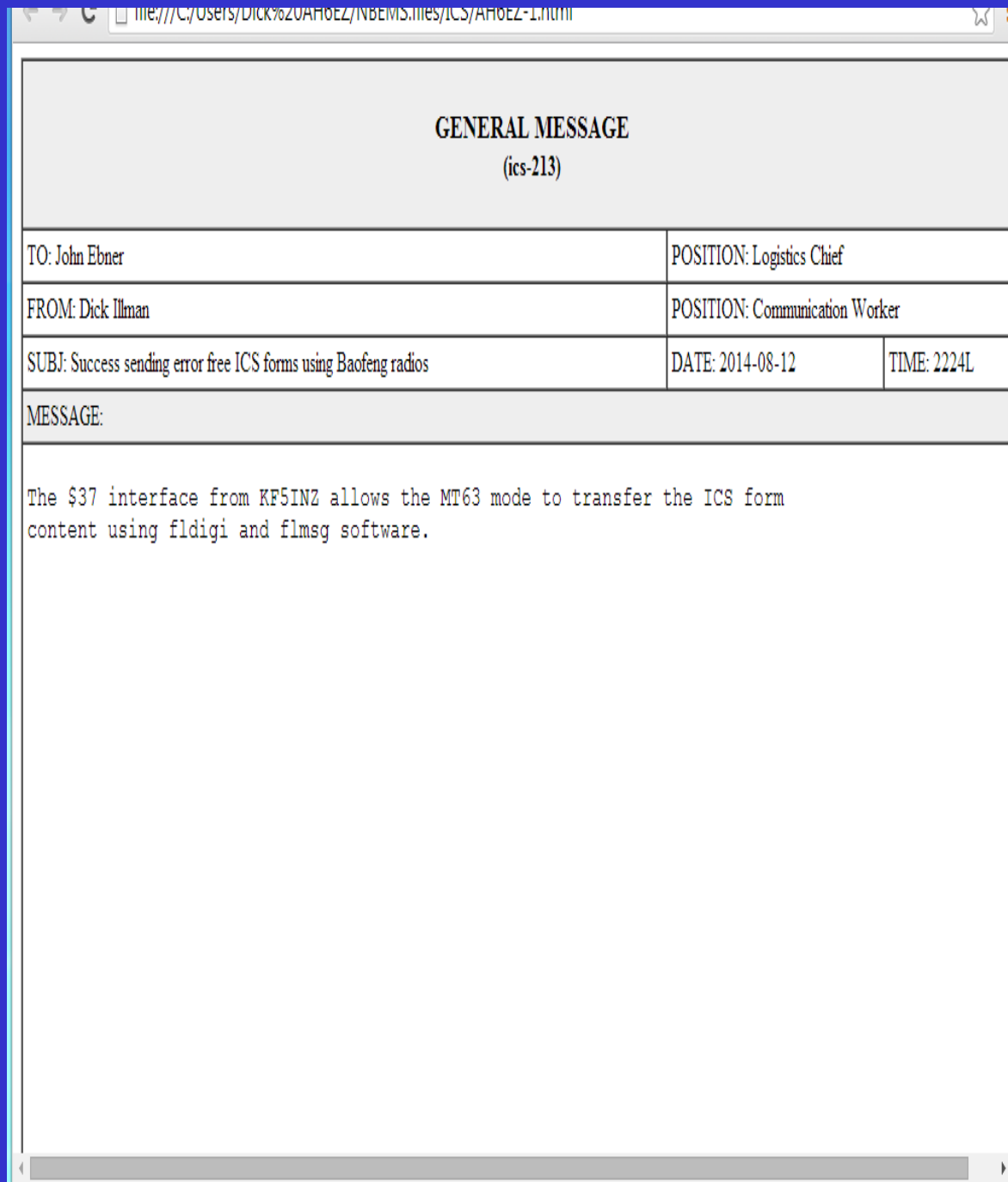
Select Soundcard Input and Output



flmsg addon software to fldigi ICS message entry



View, print, save ICS forms



The screenshot shows a web browser window displaying an email. The browser's address bar contains the path: file:///C:/Users/DICK%20AH0EZ/INBEIWS.MES/ICS/AH0EZ-1.NM11. The email header is as follows:

GENERAL MESSAGE (ics-213)		
TO: John Ebner	POSITION: Logistics Chief	
FROM: Dick Ilman	POSITION: Communication Worker	
SUBJ: Success sending error free ICS forms using Baofeng radios	DATE: 2014-08-12	TIME: 2224L

Below the header, the message content is displayed under the label "MESSAGE:". The text of the message is:

The \$37 interface from KF5INZ allows the MT63 mode to transfer the ICS form content using fldigi and flmsg software.

flmsg addon software to fldigi ARRL radiogram message entry

ARRL radiogram
file: new.m2s

Message Records

SVC *NR 1 *PREC ROUTINE HX HXE *STN ORIG AH6EZ CK 7 ck

PLACE OF ORIG NORLAND WA TIME FILED 2017L ... *MON DY AUG 22 ...

*TO PETE HUBBARD TEL: 3603850000
OP NOTE: KG7EKM

Standard Format ARL MSG

TXT:
BRING YOUR RADIO TO THE
VECOM MEETING

SIG: DICK ILLMAN OP NOTE: AH6EZ

Comp base64 MT63-2KL * 358 bytes / 24 secs

Drag and drop
Message file
To fill in form

Select mode to show message time

Where to download the free software

www.w1hkj.com

	Linux Binary	Windows Setup	OS X dmg	Puppy Pet (1)	Source	Help	Release Info
fldigi / flarq:	fldigi-3.21.83.bin	fldigi-3.21.83 setup	fldigi-3.21.83 i386 dmg	fldigi-3.21	fldigi-3.21.83	fldigi-Help	Maint'
			fldigi-3.21.83 ppc dmg	flarq-4.3		flarq-Help	
	README	Setup.exe SHA256 checksums		How-To-Install			
		required for all fl__ applications on Puppy OS =>		pet libs		fldigi-Help PDF	
RigCat Xmls	xml archives						
flamp:	flamp-2.1.02.bin	flamp-2.1.02 setup	flamp-2.1.02 i386 dmg flamp-2.1.02 ppc dmg	flamp	flamp-2.1.02	flamp-Help(html) flamp-Help - PDF flamp-protocol PDF	
flwrap:	flwrap-1.3.4.bin	flwrap-1.3.4 setup	flwrap-1.3.4 i386 dmg flwrap-1.3.4 ppc dmg	flwrap	flwrap-1.3.4	flwrap-Help flwrap Help PDF	Maint'
flmsg:	flmsg-2.0.4.bin	flmsg-2.0.4 setup	flmsg-2.0.4 i386 dmg flmsg-2.0.4 ppc dmg	flmsg	flmsg-2.0.4	flmsg-Help flmsg-Help-PDF	Maint'
flwkey:	flwkey-1.1.6.bin	flwkey-1.1.6 setup	flwkey-1.1.6 i386 dmg flwkey-1.1.6 ppc dmg	flwkey	flwkey-1.1.6	flwkey-Help flwkey Help PDF	Maint'
flrig:	flrig-1.3.16.bin	flrig-1.3.16 setup	flrig-1.3.16 i386 dmg flrig-1.3.16 ppc dmg	flrig	flrig-1.3.16	flrig-help flrig Help PDF	Maint'
fllog:	fllog-1.1.8.bin	fllog-1.1.8 setup	fllog-1.1.8 i386 dmg fllog-1.1.8 ppc dmg	fllog	fllog-1.1.8	fllog-help fllog Help PDF	Maint'
flnet	flnet-7.2.1 bin	flnet-7.2.1 setup	flnet-7.2.1 i386 dmg flnet-7.2.1 ppc dmg		flnet-7.2.1	flnet help flnet Help PDF	
kcat	kcat-1.2.1 bin	kcat-1.2.1 setup	kcat 1.2.1 i386 dmg kcat 1.2.1 ppc dmg		kcat-1.2.1	kcat help kcat help PDF	
kcts	kcts 1.0.0 bin	kcts-1.0.0 setup	kcts-1.0.0 i386 dmg kcts-1.0.0 ppc dmg		kcts-1.0.0	kcts help	

Operational Best Practices

- Best using simplex without CTCSS encode
- Optimum deviation 3 KHz for no clipping
 - VOX can be problematic, may need PTT interface
- Repeaters tricky
 - May have DTMF muting (MT63 carriers fake it out)
 - Strong MT63 can overcome CTCSS decoder
- Be mindful of radio or repeater Time Out Timers
- Develop meaningful file name structure
- Messages can be forwarded to/from HF if needed
- Many different radio/interface/computer setups possible

Additional Links

- Basic fldigi and flmsg setup - 4.75 minutes
<https://www.youtube.com/watch?v=SWZ2vKWSiIE>
- here is a link sending receiving an ICS213 form with MT63 audio - 2 minutes
- <https://www.youtube.com/watch?v=4J-e7u4wxmc>
- Here is one about flmsg ARRL message gram entry. - 6 minutes
- <https://www.youtube.com/watch?v=6KBtanh4COc>